
















CICLI - CYCLES











SOFT HARD CHEF **SOFT HARD** **MAN RIG**
+3°C **-18°C**



UTILITY **OPTIONS**

CAPACITY

 **+90°C/ +3°C** **20 KG**
 **+90°C/-18°C** **14 KG**

MAX CONDITION

 **32°C**  **60 UR%**

COMPANY
WITH QUALITY MANAGEMENT
SYSTEM CERTIFIED BY DNV
= ISO 9001:2000 =

5T



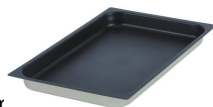
Specifiche Tecniche - Specifications - Technische Daten - Données Techniques - Dato Técnicos

		230V/1N/50HZ	
Codice prodotto	Produkt-Kode-Nr.	inox*rostfr.St	9AM05PI..
Item code no	Nr. de code du produit	s/s*inox	
Lunghezza esterna	Aussenlänge	mm	790
Outside length	Longueur extérieure		
Altezza	Höhe	mm	850
Height	Hauteur		
Profondità	Tiefe	mm	780
Depth	Profondeur		
Capacità	Inhalt	GN 1/1	5
Capacity	Capacité	EN 600x400	
Compressore	Kompressor	EMBRACO	
Compressor	Compresseur	ASPERA	T2180GK
Resa abbattimento	Ergiebigkeit Schnellkühlung	kg (t = 90')	20
Output chilling	Rendement refroidissement	+90°C/+3°C	
Resa surgelazione	Ergiebigkeit Schockfrostung	kg (t = 270')	14
Output freezing	Rendement congelation	+90°C/-18°C	
Potenza frigorifera	Kalorienleistung	W (-10°C/+45°C)	1972
Refrigeration power	Puissance frigorifique	W (-30°C/+45°C)	754
Fluido refrigerante	Kältemittel	kg	R 404A
Refrigerant fluid	Gas frigorigène		1.2
Centralina elettronica	Elektronisches Steuergehäuse		PCO-CHEF
Electronic central unit	Centrale électronique		
Potenza assorbita	Leistungsaufnahme	W	1350
Absorbed power	Puissance absorbée		
Rumorosità	Lautstärke	db	65
Noise	Bruit		
Peso	Gewicht	Kg	100
Weight	Poids		

ACCESSORIAMENTO-ACCESSORIES

N° 5

Teglie
Pastry Tray
600x400
passo/step 70 mm



N° 5

Bacinelle GN 1/1
Pan coolers GN 1/1
h max = 60 mm
passo/step 70 mm

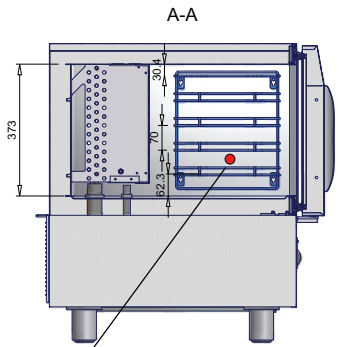
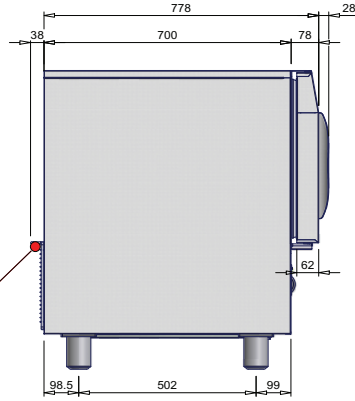
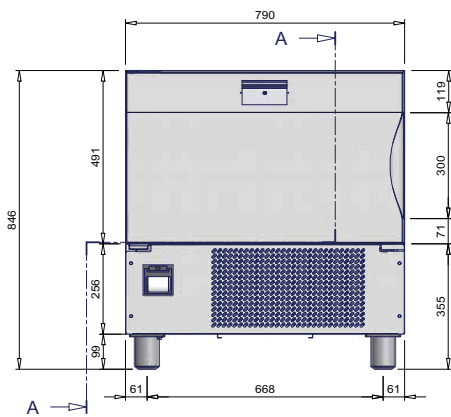


N° 6

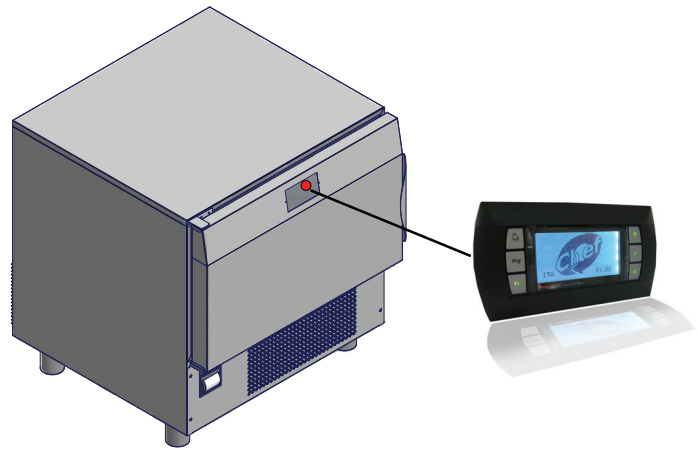
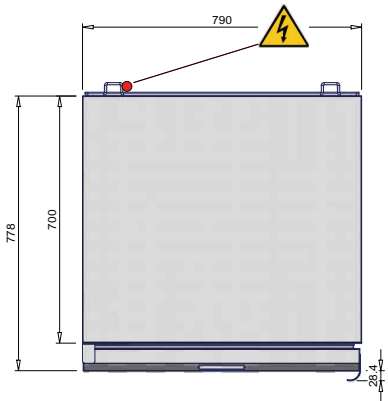
5 Litres Pans
Vaschette Gelato
165x360xh120
passo/step 140 mm



DIMENSIONI-DIMENSIONS

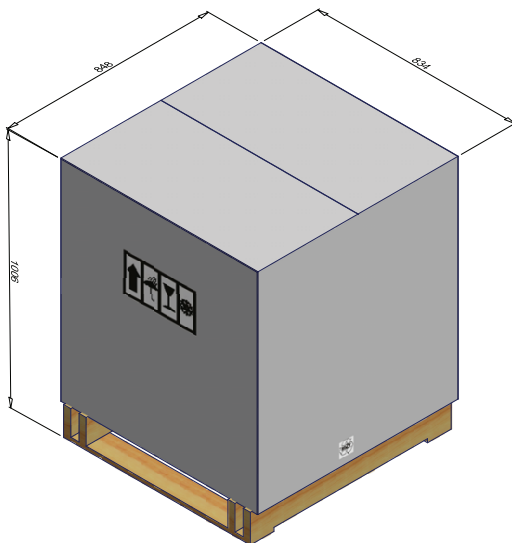


(Opzione : Cremagliere passo 10 mm)
(Option : Racks with pitch 10 mm)



 USCITA CAVO DI ALIMENTAZIONE
ELECTRICAL CONNECTION

IMBALLO - PACKING



**MINIMA AREA INSTALLAZIONE
MINIMUM INSTALLATION AREA**

